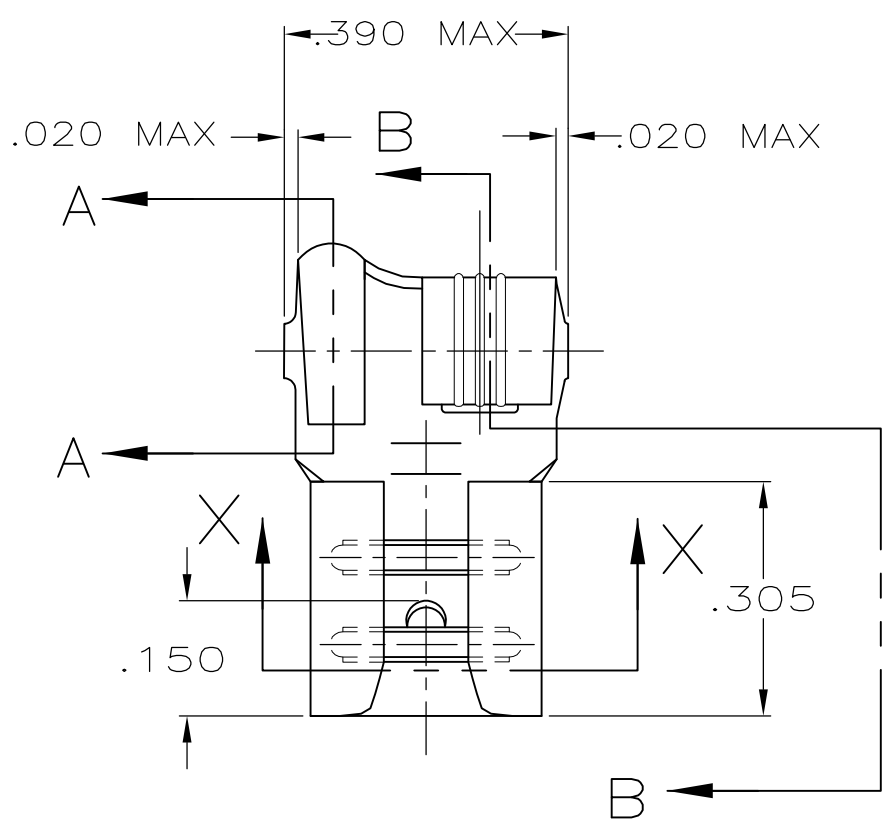


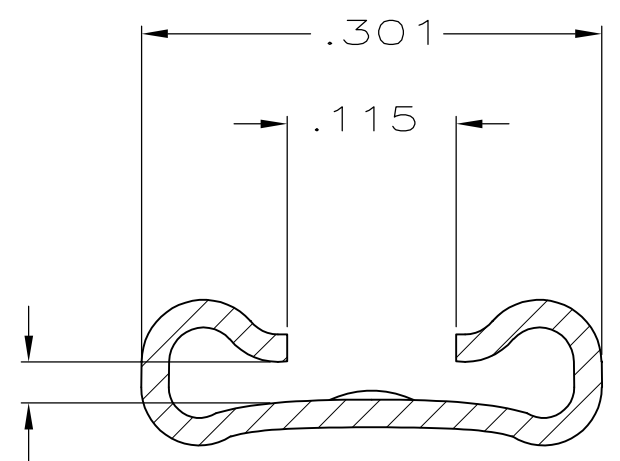
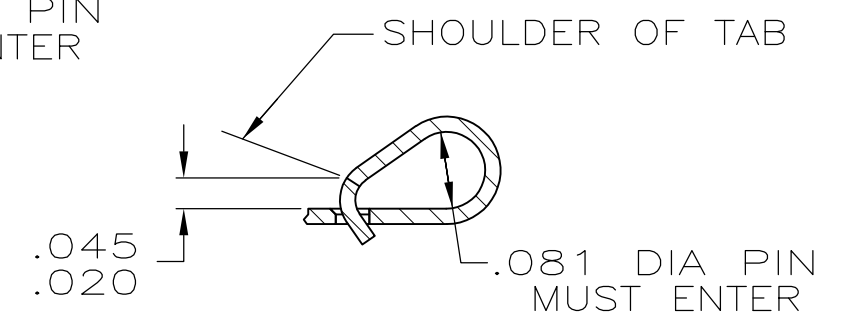
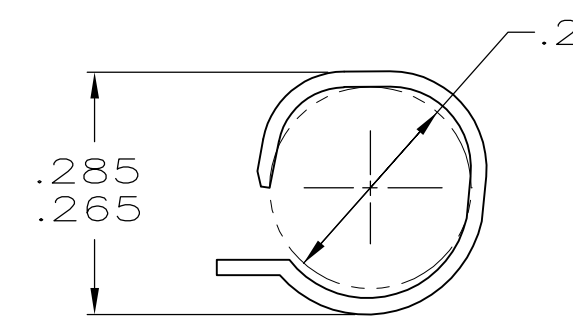
THIS DRAWING IS UNPUBLISHED. RELEASED FOR PUBLICATION
 © COPYRIGHT - By - ALL RIGHTS RESERVED.

LOC	DIST	REVISIONS			
P	LTR	DESCRIPTION	DATE	DWN	APVD
AF	50	A	REVISED PER ECR-12-013445	18OCT12	KH PD



- 1 SUPPLIED IN LOOSE PIECE
- 2 WIRE SIZE IS #18-#12
- 3 INSULATION RANGE IS .110-.210 DIA.
- 4 MATING TAB THK TO BE .032±.002.

INSULATION SUPPORT AND WIRE BBL TO BE PRE-CRIMPED AS SHOWN IN CUT-OFF OPERATION.



FITS .250 SERIES FASTON TAB
 SECTION X-X
 SCALE 8:1

THIS DRAWING IS A CONTROLLED DOCUMENT.		DWN	JR RUTH	11/12/96	42742-1	60102-1		
DIMENSIONS: INCHES		CHK	MS FEHER	11/12/96	STRIP NO.	PART NO		
TOLERANCES UNLESS OTHERWISE SPECIFIED:		APVD	J GILLESPIE	11/12/96	TE Connectivity RECEPTACLE, FASTON,™ FLAG, .250 SERIES			
0 PLC ± - 1 PLC ± - 2 PLC ± - 3 PLC ± .015 4 PLC ± - ANGLES ± -		PRODUCT SPEC	-	NAME				
MATERIAL: BRASS		FINISH	-	APPLICATION SPEC	SIZE	CAGE CODE	DRAWING NO	RESTRICTED TO
-		-	-	WEIGHT	A3	00779	C-60102	-
CUSTOMER DRAWING				SCALE	4:1	SHEET	1 OF 1	REV
								A